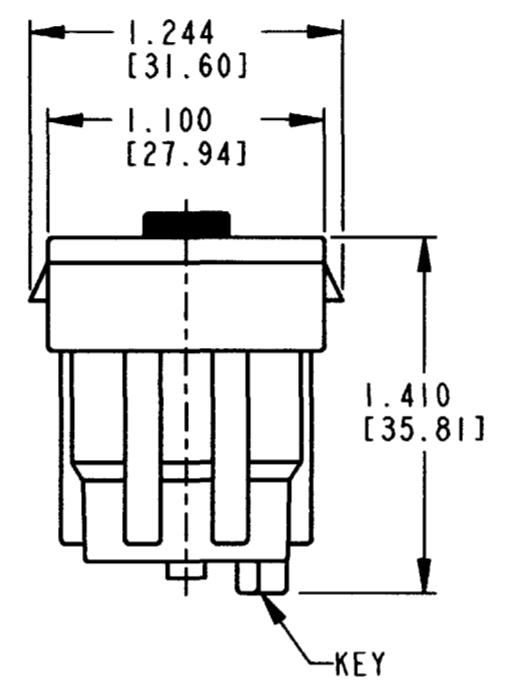


REV  
D **DRC26-40S \***

REVISIONS			
SYM	DESCRIPTION	DATE	APPROVED
A	REVISED PER E.O. A14635	9-6-94	R.D.R.
B	REVISED PER E.O. A14773	12-2-94	R.D.R.
C	REVISED & REDRAWN PER E.O. P17012	12-22-00	R.D.R.
D	REVISED PER E.O. P18865	3-31-05	<i>ADA</i>



**DRC26-40SA**



**DRC26-40SB**



**DRC26-40SC**



**DRC26-40SD**



CONTACT SIZE	MIN. INSUL. O.D.	MAX. INSUL. O.D.	WIRE RANGE [mm <sup>2</sup> ] REF ONLY
20	.040 [1.016]	.095 [2.413]	16-20 AWG [1.0-0.5]

5. THIS PLUG MATES WITH DRC23-40P\*-\*\*\*\* RECEPTACLE. (\* = A,B,C,D KEYS; \*\*\*\* = ALL MODIFICATIONS)
  - 4 FOR CONTACT AND WIRE PERFORMANCE AND APPLICATION CHARACTERISTICS SEE ENVELOPE DRAWING 0425-015-0000.
  3. PLUG IS SUPPLIED WITH DUST CAP (NOT SHOWN).
  2. DIMENSION TOLERANCE: ±.025 [0.635]
  1. DIMENSIONS ARE IN INCHES [mm].
- NOTES: UNLESS OTHERWISE SPECIFIED

7. MATERIAL: HOUSING: PLASTIC (BLACK); BOLT: STAINLESS STEEL; CLIP: STEEL; GROMMET: RUBBER.
6. RECOMMENDED RETAINING BOLT TORQUE: 25-28 IN-LB [2.82-3.16 NM].

SIGNATURE & DATE		<b>PLUG</b> 40 CONTACTS, SIZE 20 DRC SERIES  <b>ENVELOPE</b>	CP	MATL. CODE	
DR	<i>D. MEYER 11/30/00</i>		<b>The Deutch Company</b> DEUTSCH I.P.D. 3850 INDUSTRIAL AVE. HEMET, CALIF. 92545		
CHK	<i>R. Meyer 7/24/05</i>		<b>B</b>	<b>DRC26-40S *</b>	
PE	<i>D. Meyer 3/28/05</i>			DWG. SIZE	CODE
APPD	<i>R. Road 3-31-05</i>			11139	SHEET   OF
SCALE	NONE	WT			